



ORDRSP Purchase Order Response Message

EDIFACT/D01B/ORDRSP

Version: 1.0

Company:	Simplot Australia
Publication:	03/20/2024
Created:	12/12/2019
Modified:	03/20/2024

Table of Contents

ORDRSP	Purchase order response message	1
	Branching Diagram - 1	3
	Branching Diagram - 2	4
UNH	MESSAGE HEADER	5
BGM	BEGINNING OF MESSAGE	7
DTM	DATE/TIME/PERIOD	8
FTX	FREE TEXT	9
RFF	REFERENCE	10
NAD	NAME AND ADDRESS	11
PAC	PACKAGE	12
MEA	MEASUREMENTS	13
LIN	LINE ITEM	14
PIA	ADDITIONAL PRODUCT ID	15
MEA	MEASUREMENTS	16
QTY	QUANTITY	17
PRI	PRICE DETAILS	18
UNS	SECTION CONTROL	19
CNT	CONTROL TOTAL	20
UNT	MESSAGE TRAILER	21

ORDRSP Purchase order response message

Message Status=**12**

Definition: A message from the seller to the buyer, responding to a purchase order message or a purchase order change request message.

Heading:

<u>Pos</u>	<u>Tag</u>	<u>Segment Name</u>	<u>Status</u>	<u>Rep</u>	<u>Notes</u>	<u>Usage</u>
0010	UNH	MESSAGE HEADER	M	1	N1/0010	Must use
0020	BGM	BEGINNING OF MESSAGE	M	1	N1/0020	Must use
0030	DTM	DATE/TIME/PERIOD	M	35	N1/0030	Must use
0070	FTX	FREE TEXT	C	99	N1/0070	Used
0090		Segment Group 1	C	9999	N1/0090	Used
0100	RFF	REFERENCE	M	1	N1/0100	Must use
0150		Segment Group 3	C	99	N1/0150	Used
0160	NAD	NAME AND ADDRESS	M	1	N1/0160	Must use
0490		Segment Group 13	C	99	N1/0490	Used
0500	PAC	PACKAGE	M	1	N1/0500	Must use
0510	MEA	MEASUREMENTS	C	5	N1/0510	Used

Detail:

<u>Pos</u>	<u>Tag</u>	<u>Segment Name</u>	<u>Status</u>	<u>Rep</u>	<u>Notes</u>	<u>Usage</u>
0970		Segment Group 26	C	200000	N2/0970	Used
0980	LIN	LINE ITEM	M	1	N2/0980	Must use
0990	PIA	ADDITIONAL PRODUCT ID	C	25	N2/0990	Used
1010	MEA	MEASUREMENTS	C	99	N2/1010	Used
1020	QTY	QUANTITY	C	99	N2/1020	Used
1270		Segment Group 30	C	25	N2/1270	Used
1280	PRI	PRICE DETAILS	M	1	N2/1280	Must use

Summary:

<u>Pos</u>	<u>Tag</u>	<u>Segment Name</u>	<u>Status</u>	<u>Rep</u>	<u>Notes</u>	<u>Usage</u>
2200	UNS	SECTION CONTROL	M	1	N3/2200	Must use
2220	CNT	CONTROL TOTAL	C	10	N3/2220	Used
2270	UNT	MESSAGE TRAILER	M	1	N3/2270	Must use

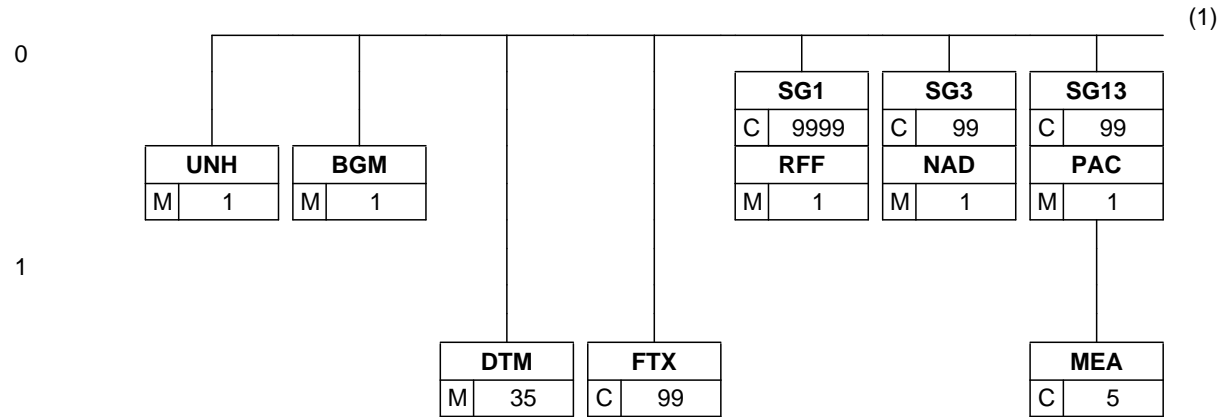
Simplot Note:

Simplot Example ORDRSP Document:

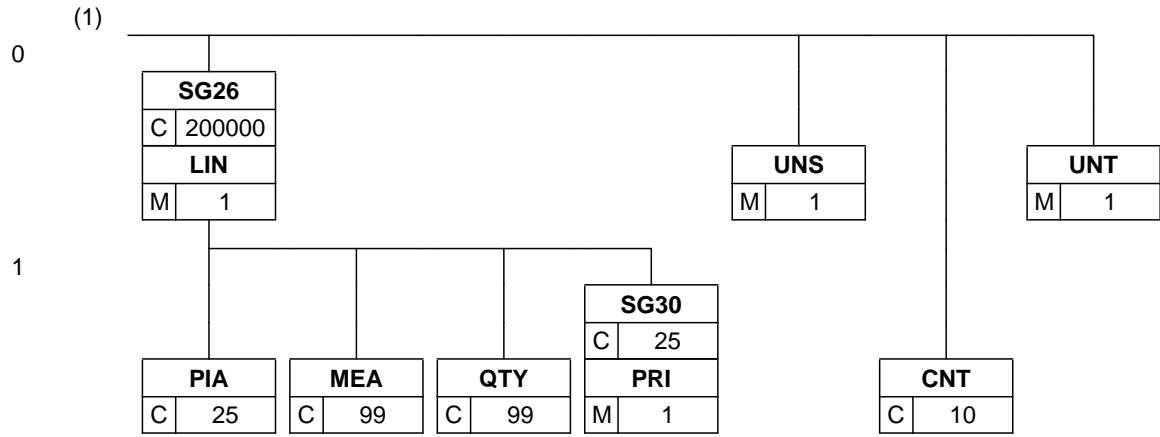
UNH+211516+ORDRSP:D:01B:UN:EAN007'
 BGM+231+282746+4'
 DTM+137:20240315:102'
 DTM+2:20240321:102'
 RFF+ON:*PO Number*'
 NAD+BY+*Received ID*::9'
 NAD+ST+*Sender ID*::9'
 NAD+SU+*Supplier ID*::92'
 LIN+1+5+19310081128837:SRV'
 PIA+1+1:LJ'

MEA+PD+ULY+NAR:12'
MEA+PD+LAY+NAR:4'
QTY+21:48'
QTY+113:48'
PRI+1E:53.16:::12:EA'
LIN+2+5+19310081128806:SRV'
PIA+1+2:LI'
MEA+PD+ULY+NAR:12'
MEA+PD+LAY+NAR:4'
QTY+21:48'
QTY+113:48'
PRI+1E:53.16:::12:EA'
LIN+3+5+19310081457760:SRV'
PIA+1+3:LI'
MEA+PD+ULY+NAR:12'
MEA+PD+LAY+NAR:6'
QTY+21:72'
QTY+113:72'
PRI+1E:48.60:::12:EA'
LIN+4+5+19310081457753:SRV'
PIA+1+4:LI'
MEA+PD+ULY+NAR:12'
MEA+PD+LAY+NAR:6'
QTY+21:72'
QTY+113:72'
PRI+1E:48.60:::12:EA'
LIN+5+5+19310081128820:SRV'
PIA+1+5:LI'
MEA+PD+ULY+NAR:12'
MEA+PD+LAY+NAR:4'
QTY+21:96'
QTY+113:96'
PRI+1E:53.16:::12:EA'
.....
.....
UNS+S'
CNT+2:19'
UNT+144+211516'

Branching Diagram: ORDRSP(Purchase order response message)



Branching Diagram: ORDRSP(Purchase order response message)



UNH MESSAGE HEADER

Pos: 0010	Max: 1
Mandatory	
Group: N/A	Elements: 2

User Option (Usage): Must use

Function: To head, identify and specify a message.

Element Summary:

<u>Ref</u>	<u>Tag</u>	<u>Element Name</u>	<u>Status</u>	<u>Type</u>	<u>Min/Max</u>	<u>Usage</u>
UNH010	0062	Message reference number	M	an	1/14	Must use
Description: Unique message reference assigned by the sender.						
UNH020	S009	MESSAGE IDENTIFIER	M	Comp		Must use
Description: Identification of the type, version, etc. of the message being interchanged.						
UNH020-01 0	0065	Message type	M	an	1/6	Must use
Description: Code identifying a type of message and assigned by its controlling agency.						
Code List Summary (Total Codes: 211, Included: 1)						
<u>Code</u> <u>Name</u>						
ORDRSP Purchase order response message						
UNH020-02 0	0052	Message version number	M	an	1/3	Must use
Description: Version number of a message type.						
Code List Summary (Total Codes: 8, Included: 1)						
<u>Code</u> <u>Name</u>						
D Draft version/UN/EDIFACT Directory						
UNH020-03 0	0054	Message release number	M	an	1/3	Must use
Description: Release number within the current message version number.						
Code List Summary (Total Codes: 25, Included: 1)						
<u>Code</u> <u>Name</u>						
01B Release 2001 - B						
UNH020-04 0	0051	Controlling agency, coded	M	an	1/3	Must use
Description: Code identifying a controlling agency.						
Code List Summary (Total Codes: 26, Included: 1)						
<u>Code</u> <u>Name</u>						
UN UN/CEFACT						
UNH020-05 0	0057	Association assigned code	C	an	1/6	Used
Description: Code, assigned by the association responsible for the design and maintenance of the message type concerned, which further identifies the message.						

Notes:

1. Data element S009/0057 is retained for upward compatibility. The use of S016 and/or S017 is encouraged in preference.
2. The combination of the values carried in data elements 0062 and S009 shall be used to identify uniquely the message within its group (if used) or if not used, within its interchange, for the purpose of acknowledgement.

BGM BEGINNING OF MESSAGE

Pos: 0020	Max: 1
Mandatory	
Group: N/A	Elements: 4

User Option (Usage): Must use

Function: To indicate the type and function of a message and to transmit the identifying number.

Element Summary:

<u>Ref</u>	<u>Tag</u>	<u>Element Name</u>	<u>Status</u>	<u>Type</u>	<u>Min/Max</u>	<u>Usage</u>
BGM010	C002	DOCUMENT/MESSAGE NAME	C	Comp		Used
		Description: Identification of a type of document/message by code or name. Code preferred.				
BGM010-01 0	1001	Document name code	C	an	1/3	Used
		Description: Code specifying the document name.				
		Code List Summary (Total Codes: 583, Included: 1)				
		<u>Code</u>	<u>Name</u>			
		231	Purchase order response			
BGM020	C106	DOCUMENT/MESSAGE IDENTIFICATION	C	Comp		Used
		Description: Identification of a document/message by its number and eventually its version or revision.				
BGM020-01 0	1004	Document identifier	C	an	1/35	Used
		Description: To identify a document.				
BGM030	1225	Message function code	C	an	1/3	Used
		Description: Code indicating the function of the message.				
		Code List Summary (Total Codes: 65, Included: 3)				
		<u>Code</u>	<u>Name</u>			
		4	Change			
		27	Not accepted			
		29	Accepted without amendment			
BGM040	4343	Response type code	C	an	1/3	Used
		Description: Code specifying the type of acknowledgment required or transmitted.				

DTM DATE/TIME/PERIOD

Pos: 0030	Max: 35
Mandatory	
Group: N/A	Elements: 1

User Option (Usage): Must use

Function: To specify date, and/or time, or period.

Element Summary:

<u>Ref</u>	<u>Tag</u>	<u>Element Name</u>	<u>Status</u>	<u>Type</u>	<u>Min/Max</u>	<u>Usage</u>
DTM010	C507	DATE/TIME/PERIOD	M	Comp		Must use
Description: Date and/or time, or period relevant to the specified date/time/period type.						
DTM010-01 0	2005	Date or time or period function code qualifier	M	an	1/3	Must use
Description: Code qualifying the function of a date, time or period.						
Code List Summary (Total Codes: 739, Included: 2)						
<u>Code</u> <u>Name</u>						
2 Delivery date/time, requested						
137 Document/message date/time						
DTM010-02 0	2380	Date or time or period value	C	an	1/35	Used
Description: The value of a date, a date and time, a time or of a period in a specified representation.						
DTM010-03 0	2379	Date or time or period format code	C	an	1/3	Used
Description: Code specifying the representation of a date, time or period.						
Code List Summary (Total Codes: 76, Included: 1)						
<u>Code</u> <u>Name</u>						
102 CCYYMMDD						

FTX FREE TEXT

Pos: 0070	Max: 99
Conditional	
Group: N/A	Elements: 6

User Option (Usage): Used

Function: To provide free form or coded text information.

Element Summary:

<u>Ref</u>	<u>Tag</u>	<u>Element Name</u>	<u>Status</u>	<u>Type</u>	<u>Min/Max</u>	<u>Usage</u>
FTX010	4451	Text subject code qualifier	M	an	1/3	Must use
		Description: Code qualifying the subject of the text.				
		Code List Summary (Total Codes: 352, Included: 1)				
		Code	Name			
		PUR	Purchasing information			
FTX020	4453	Free text function code	C	an	1/3	Used
		Description: Code specifying the function of free text.				
FTX030	C107	TEXT REFERENCE	C	Comp		Used
		Description: Coded reference to a standard text and its source.				
FTX030-010	4441	Free text value code	M	an	1/17	Must use
		Description: Code specifying free form text.				
FTX040	C108	TEXT LITERAL	C	Comp		Used
		Description: Free text; one to five lines.				
FTX040-010	4440	Free text value	M	an	1/512	Must use
		Description: Free form text.				
FTX040-020	4440	Free text value	C	an	1/512	Used
		Description: Free form text.				
FTX040-030	4440	Free text value	C	an	1/512	Used
		Description: Free form text.				
FTX040-040	4440	Free text value	C	an	1/512	Used
		Description: Free form text.				
FTX040-050	4440	Free text value	C	an	1/512	Used
		Description: Free form text.				
FTX050	3453	Language name code	C	an	1/3	Used
		Description: Code specifying the language name.				
FTX060	4447	Free text format code	C	an	1/3	Used
		Description: Code specifying the format of free text.				

RFF REFERENCE

Pos: 0100	Max: 1
Mandatory	
Group: 1	Elements: 1

User Option (Usage): Must use

Function: To specify a reference.

Element Summary:

<u>Ref</u>	<u>Tag</u>	<u>Element Name</u>	<u>Status</u>	<u>Type</u>	<u>Min/Max</u>	<u>Usage</u>
RFF010	C506	REFERENCE	M	Comp		Must use
Description: Identification of a reference.						
RFF010-010	1153	Reference code qualifier	M	an	1/3	Must use
Description: Code qualifying a reference.						
Code List Summary (Total Codes: 760, Included: 1)						
Code Name						
ON Order number (purchase)						
RFF010-020	1154	Reference identifier	C	an	1/70	Used
Description: Identifies a reference.						
RFF010-050	1060	Revision identifier	C	an	1/6	Used
Description: To identify a revision.						

NAD NAME AND ADDRESS

Pos: 0160	Max: 1
Mandatory	
Group: 3	Elements: 2

User Option (Usage): Must use

Function: To specify the name/address and their related function, either by C082 only and/or unstructured by C058 or structured by C080 thru 3207.

Element Summary:

<u>Ref</u>	<u>Tag</u>	<u>Element Name</u>	<u>Status</u>	<u>Type</u>	<u>Min/Max</u>	<u>Usage</u>
NAD010	3035	Party function code qualifier	M	an	1/3	Must use

Description: Code giving specific meaning to a party.

Code List Summary (Total Codes: 528, Included: 3)

Code Name

BY Buyer
ST Ship to
SU Supplier

NAD020	C082	PARTY IDENTIFICATION DETAILS	C	Comp		Used
--------	------	-------------------------------------	---	------	--	------

Description: Identification of a transaction party by code.

NAD020-01 0	3039	Party identifier	M	an	1/35	Must use
----------------	------	------------------	---	----	------	----------

Description: Code specifying the identity of a party.

NAD020-03 0	3055	Code list responsible agency code	C	an	1/3	Used
----------------	------	-----------------------------------	---	----	-----	------

Description: Code specifying the agency responsible for a code list.

Code List Summary (Total Codes: 289, Included: 2)

Code Name

9 EAN (International Article Numbering association)
92 Assigned by buyer or buyer's agent

PAC PACKAGE

Pos: 0500	Max: 1
Mandatory	
Group: 13	Elements: 2

User Option (Usage): Must use

Function: To describe the number and type of packages/physical units.

Element Summary:

<u>Ref</u>	<u>Tag</u>	<u>Element Name</u>	<u>Status</u>	<u>Type</u>	<u>Min/Max</u>	<u>Usage</u>
PAC010	7224	Package quantity	C	n	1/8	Used
		Description: To specify the number of packages.				
PAC030	C202	PACKAGE TYPE	C	Comp		Used
		Description: Type of package by name or by code from a specified source.				
PAC030-010	7065	Package type description code	C	an	1/17	Used
		Description: Code specifying the type of package.				
PAC030-030	3055	Code list responsible agency code	C	an	1/3	Used
		Description: Code specifying the agency responsible for a code list.				
		All valid standard codes are used. (Total Codes: 289)				

MEA MEASUREMENTS

Pos: 0510	Max: 5
Conditional	
Group: 13	Elements: 3

User Option (Usage): Used

Function: To specify physical measurements, including dimension tolerances, weights and counts.

Element Summary:

<u>Ref</u>	<u>Tag</u>	<u>Element Name</u>	<u>Status</u>	<u>Type</u>	<u>Min/Max</u>	<u>Usage</u>
MEA010	6311	Measurement purpose code qualifier	M	an	1/3	Must use
<p>Description: Code qualifying the purpose of the measurement. All valid standard codes are used. (Total Codes: 101)</p>						
MEA020	C502	MEASUREMENT DETAILS	C	Comp		Used
<p>Description: Identification of measurement type.</p>						
MEA020-01 0	6313	Measured attribute code	C	an	1/3	Used
<p>Description: Code specifying the attribute measured. All valid standard codes are used. (Total Codes: 231)</p>						
MEA030	C174	VALUE/RANGE	C	Comp		Used
<p>Description: Measurement value and relevant minimum and maximum values of the measurement range.</p>						
MEA030-01 0	6411	Measurement unit code	M	an	1/3	Must use
<p>Description: Code specifying the unit of measurement.</p>						
MEA030-02 0	6314	Measurement value	C	an	1/18	Used
<p>Description: To specify the value of a measurement.</p>						

LIN LINE ITEM

Pos: 0980	Max: 1
Mandatory	
Group: 26	Elements: 3

User Option (Usage): Must use

Function: To identify a line item and configuration.

Element Summary:

<u>Ref</u>	<u>Tag</u>	<u>Element Name</u>	<u>Status</u>	<u>Type</u>	<u>Min/Max</u>	<u>Usage</u>
LIN010	1082	Line item identifier	C	an	1/6	Used
		Description: To identify a line item.				
LIN020	1229	Action request/notification description code	C	an	1/3	Used
		Description: Code specifying the action to be taken or already taken.				
		Code List Summary (Total Codes: 110, Included: 3)				
		Code	Name			
		3	Changed			
		5	Accepted without amendment			
		7	Not accepted			
LIN030	C212	ITEM NUMBER IDENTIFICATION	C	Comp		Used
		Description: Goods identification for a specified source.				
LIN030-010	7140	Item identifier	C	an	1/35	Used
		Description: To identify an item.				
LIN030-020	7143	Item type identification code	C	an	1/3	Used
		Description: Coded identification of an item type.				
		Code List Summary (Total Codes: 104, Included: 1)				
		Code	Name			
		SRV	EAN.UCC Global Trade Item Number			

PIA ADDITIONAL PRODUCT ID

Pos: 0990	Max: 25
Conditional	
Group: 26	Elements: 2

User Option (Usage): Used

Function: To specify additional or substitutional item identification codes.

Element Summary:

<u>Ref</u>	<u>Tag</u>	<u>Element Name</u>	<u>Status</u>	<u>Type</u>	<u>Min/Max</u>	<u>Usage</u>
PIA010	4347	Product identifier code qualifier	M	an	1/3	Must use
Description: Code qualifying the product identifier.						
Code List Summary (Total Codes: 12, Included: 2)						
Code Name						
1 Additional identification						
5 Product identification						
PIA020	C212	ITEM NUMBER IDENTIFICATION	M	Comp		Must use
Description: Goods identification for a specified source.						
PIA020-010	7140	Item identifier	C	an	1/35	Used
Description: To identify an item.						
PIA020-020	7143	Item type identification code	C	an	1/3	Used
Description: Coded identification of an item type.						
Code List Summary (Total Codes: 104, Included: 1)						
Code Name						
SA Supplier's article number						

MEA MEASUREMENTS

Pos: 1010	Max: 99
Conditional	
Group: 26	Elements: 3

User Option (Usage): Used

Function: To specify physical measurements, including dimension tolerances, weights and counts.

Element Summary:

<u>Ref</u>	<u>Tag</u>	<u>Element Name</u>	<u>Status</u>	<u>Type</u>	<u>Min/Max</u>	<u>Usage</u>
MEA010	6311	Measurement purpose code qualifier	M	an	1/3	Must use
<p>Description: Code qualifying the purpose of the measurement. All valid standard codes are used. (Total Codes: 101)</p>						
MEA020	C502	MEASUREMENT DETAILS	C	Comp		Used
<p>Description: Identification of measurement type.</p>						
MEA020-01 0	6313	Measured attribute code	C	an	1/3	Used
<p>Description: Code specifying the attribute measured. All valid standard codes are used. (Total Codes: 231)</p>						
MEA030	C174	VALUE/RANGE	C	Comp		Used
<p>Description: Measurement value and relevant minimum and maximum values of the measurement range.</p>						
MEA030-01 0	6411	Measurement unit code	M	an	1/3	Must use
<p>Description: Code specifying the unit of measurement.</p>						
MEA030-02 0	6314	Measurement value	C	an	1/18	Used
<p>Description: To specify the value of a measurement.</p>						

QTY QUANTITY

Pos: 1020	Max: 99
Conditional	
Group: 26	Elements: 1

User Option (Usage): Used

Function: To specify a pertinent quantity.

Element Summary:

<u>Ref</u>	<u>Tag</u>	<u>Element Name</u>	<u>Status</u>	<u>Type</u>	<u>Min/Max</u>	<u>Usage</u>
QTY010	C186	QUANTITY DETAILS	M	Comp		Must use
Description: Quantity information in a transaction, qualified when relevant.						
QTY010-010	6063	Quantity type code qualifier	M	an	1/3	Must use
Description: Code qualifying the type of quantity.						
Code List Summary (Total Codes: 450, Included: 4)						
Code Name						
21 Ordered quantity						
52 Quantity per pack						
59 Numbers of consumer units in the traded unit						
113 Quantity to be delivered						
QTY010-020	6060	Quantity	M	an	1/35	Must use
Description: Alphanumeric representation of a quantity.						

PRI PRICE DETAILS

Pos: 1280	Max: 1
Mandatory	
Group: 30	Elements: 1

User Option (Usage): Must use
Function: To specify price information.

Element Summary:

<u>Ref</u>	<u>Tag</u>	<u>Element Name</u>	<u>Status</u>	<u>Type</u>	<u>Min/Max</u>	<u>Usage</u>
PRI010	C509	PRICE INFORMATION	C	Comp		Used
Description: Identification of price type, price and related details.						
PRI010-010	5125	Price code qualifier	M	an	1/3	Must use
Description: Code qualifying a price.						
Code List Summary (Total Codes: 10, Included: 1)						
Code Name						
AAB Calculation gross						
PRI010-020	5118	Price amount	C	n	1/15	Used
Description: To specify a price.						
PRI010-050	5284	Unit price basis value	C	n	1/9	Used
Description: To specify the basis for a unit price.						
PRI010-060	6411	Measurement unit code	C	an	1/3	Used
Description: Code specifying the unit of measurement.						

UNS SECTION CONTROL

Pos: 2200	Max: 1
Mandatory	
Group: N/A	Elements: 1

User Option (Usage): Must use

Function: To separate header, detail and summary sections of a message.

Element Summary:

<u>Ref</u>	<u>Tag</u>	<u>Element Name</u>	<u>Status</u>	<u>Type</u>	<u>Min/Max</u>	<u>Usage</u>
UNS010	0081	Section identification	M	a	1/1	Must use

Description: Identification of the separation of sections of a message.

Code List Summary (Total Codes: 2, Included: 1)

<u>Code</u>	<u>Name</u>
S	Detail/summary section separation

Notes:

1. To be used by message designers only when required to avoid ambiguities.

CNT CONTROL TOTAL

Pos: 2220	Max: 10
Conditional	
Group: N/A	Elements: 1

User Option (Usage): Used

Function: To provide control total.

Element Summary:

<u>Ref</u>	<u>Tag</u>	<u>Element Name</u>	<u>Status</u>	<u>Type</u>	<u>Min/Max</u>	<u>Usage</u>
CNT010	C270	CONTROL	M	Comp		Must use
Description: Control total for checking integrity of a message or part of a message.						
CNT010-010	6069	Control total type code qualifier	M	an	1/3	Must use
Description: Code qualifying the type of control of hash total.						
Code List Summary (Total Codes: 57, Included: 1)						
Code Name						
		2		Number of line items in message		
CNT010-020	6066	Control total value	M	n	1/18	Must use
Description: To specify the value of a control quantity.						

UNT MESSAGE TRAILER

Pos: 2270	Max: 1
Mandatory	
Group: N/A	Elements: 2

User Option (Usage): Must use

Function: To end and check the completeness of a message.

Element Summary:

<u>Ref</u>	<u>Tag</u>	<u>Element Name</u>	<u>Status</u>	<u>Type</u>	<u>Min/Max</u>	<u>Usage</u>
UNT010	0074	Number of segments in a message	M	n	1/10	Must use
		Description: The number of segments in a message body, plus the message header segment and message trailer segment.				
UNT020	0062	Message reference number	M	an	1/14	Must use
		Description: Unique message reference assigned by the sender.				

Notes:

1. 0062, the value shall be identical to the value in 0062 in the corresponding UNH segment.